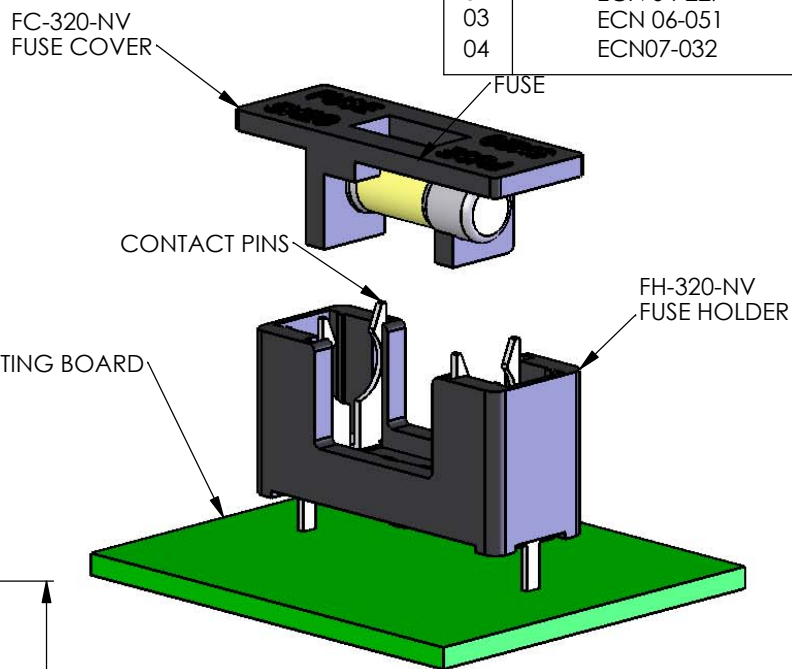
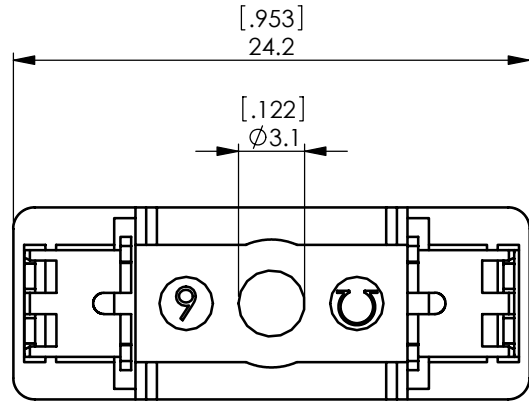
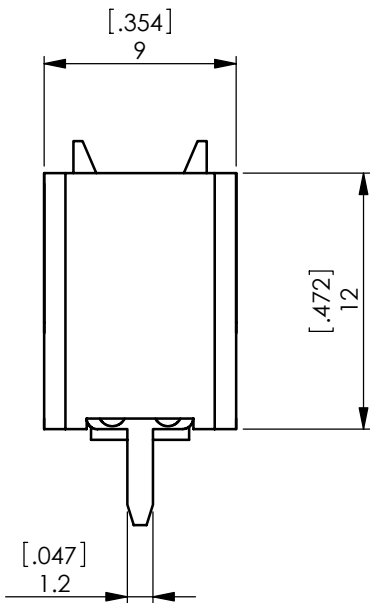
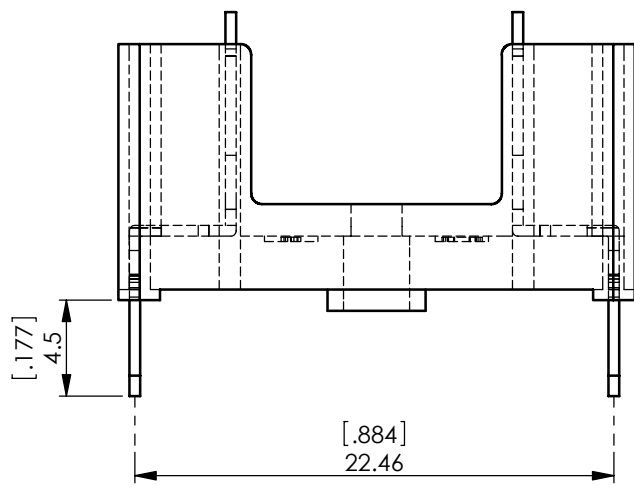


REV.	MODIFICATION.	DATE	DRN
01	NEW DRAWING	17/11/04	NJB
02	ECN 04-227	10/12/04	NJB
03	ECN 06-051	20/03/06	OW
04	ECN07-032	08/02/07	SF



TYPICAL APPLICATION VIEW



INFORMATION CONTAINED IN THIS DOCUMENT IS CONFIDENTIAL TO RICHCO INTERNATIONAL Co. Ltd. AND MAY NOT BE DISCLOSED OR REPRODUCED IN WHOLE OR PART WITHOUT THEIR WRITTEN CONSENT

**Richco**

METRIC GENERAL TOLERANCES ±0.25  
ARE PRIMARY UNLESS OTHERWISE STATED  
1 DECIMAL PLACE ±  
2 DECIMAL PLACES ±  
ANGULAR ±1°

IMPERIAL GENERAL TOLERANCES ±0.010  
ARE FOR REFERENCE UNLESS OTHERWISE STATED  
1 DECIMAL PLACE ±  
2 DECIMAL PLACES ±  
ANGULAR ±1°

MATERIAL: SEE TABLE		COLOUR: SEE TABLE	
TITLE: FUSE HOLDER, BOARD MOUNTED		PART No: FH-320-NV	
DRG No: 04-165		NPR REF:	
DRN NJB	DATE 17/11/04	CHKD OW	DATE 17/11/04
SCALE NTS		SHEET No 1 OF 1	

NOTES:  
1) ALL PRIMARY DIMENSIONS IN mm,  
SECONDARY DIMENSIONS IN [INCHES].

PART	MATERIAL	COLOUR
FH-320-NV	NYLON 6/6 25% GF (RMS-49)	BLACK
CONTACT PINS	BRASS (CuZn 33) (RMS-289) + FLASH NICKEL & 4/5 MICRONS TIN 60/40 (RMS-217)	