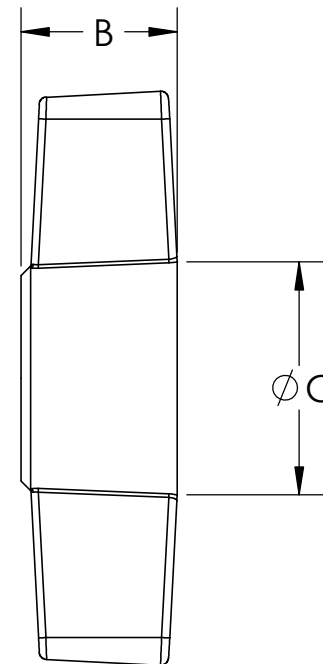
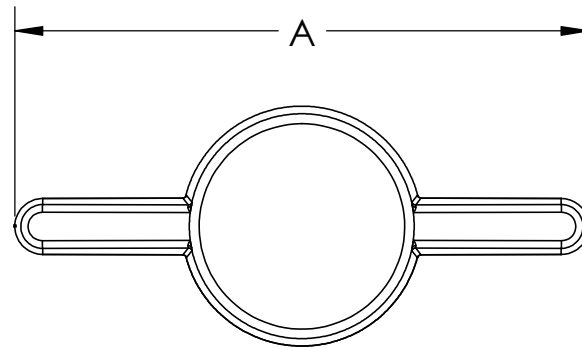


PART NUMBER	A	B	C
KSM6----T3--*--	1.50	0.41	0.63
KSM8----T3--*--	1.50	0.41	0.63
KS4X----T3--*--	1.50	0.41	0.63
KS5X----T3--*--	1.50	0.41	0.63



**Code Guide:**

\*= Color  
 5= Black  
 R= Red  
 G= Gray  
 Y= Yellow  
 N= Natural

FOR CUSTOMER APPROVAL ONLY				REV	BY	DATE	COMMENT	DIMENSIONS ARE IN INCHES TOLERANCES FRACTIONAL ± TWO PLACE DECIMAL ± 0.03 THREE PLACE DECIMAL ± 0.010 UNLESS OTHERWISE NOTED	DRAWN	VRR	INNOVATIVE COMPONENTS PART NAME 1.5" T-Knob Molded to press, Socket Head Cap Screw, Acetal	
NAME:	0	VRR	12/17/14	RELEASE DATE			APPROVED		LQR	DATE		01/30/2017
TITLE:	1	CG	01/27/17	Changed Material and Added N= Natural			COMMENTS					
DATE:							KNOB MATERIAL		Acetal			
SIGNATURE:	<b>PROPRIETARY AND CONFIDENTIAL</b> THE INFORMATION CONTAINED IN THIS DRAWING IS THE SOLE PROPERTY OF INNOVATIVE COMPONENTS. ANY REPRODUCTION IN PART OR AS A WHOLE WITHOUT THE WRITTEN PERMISSION OF INNOVATIVE COMPONENTS IS PROHIBITED.						KNOB FINISH	Textured		PART NUMBER	DRAWING NUMBER	
										<b>GANG PRINT KS-T3</b> GANG PRINT KS-T3 R1		
										SCALE 1:1	SHEET 1 OF 1	

