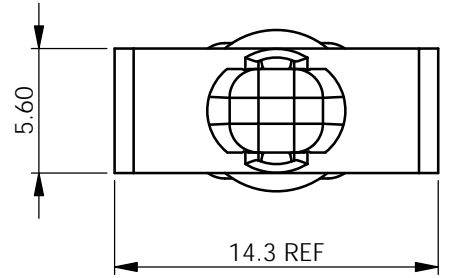
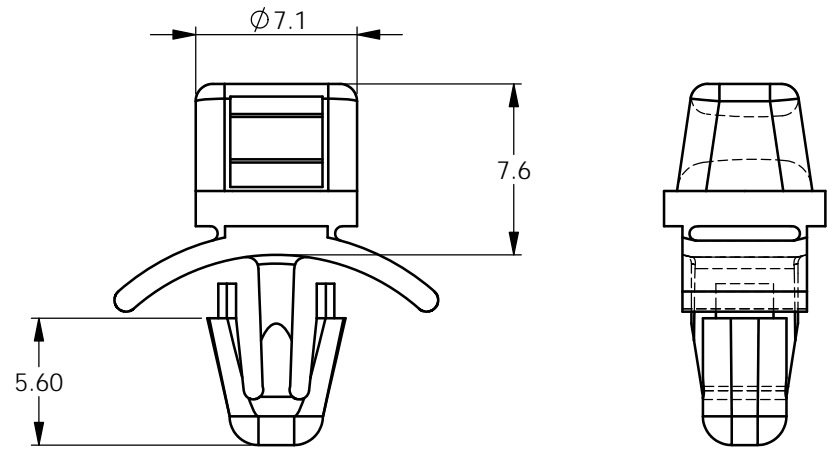


REV.	MODIFICATION.	DATE	DRN
01	CO2011067	18/02/11	SF



MATERIAL: UL94 V-2 NYLON 6/6, RMS-01* COLOUR: NATURAL			
PART No.	HOLE ϕ	PANEL THICKNESS	CABLE TIE ACCEPTED
FTH-3-01	4.75 \pm 0.08	0.79 - 1.98	ALL RG CABLE TIES UP TO SIZE RG-220/320
*AVAILABLE IN UL94 V-0 MATERIAL BY SPECIAL ORDER. TO ORDER REPLACE -01 WITH -19.			

INFORMATION CONTAINED IN THIS DOCUMENT IS CONFIDENTIAL TO RICHCO INTERNATIONAL Co. Ltd. AND MAY NOT BE DISCLOSED OR REPRODUCED IN WHOLE OR PART WITHOUT THEIR WRITTEN CONSENT.

RICHCO, INC.
WWW.RICHCO-INC.COM

ALL DIMENSIONS IN mm
GENERAL TOLERANCES ± 0.25
UNLESS OTHERWISE STATED
1 DECIMAL PLACE \pm
2 DECIMAL PLACES \pm
ANGULAR $\pm 1^\circ$

THIRD ANGLE

MATERIAL: SEE TABLE	COLOUR: SEE TABLE
------------------------	----------------------

DESCRIPTION: FLAT TIE HOLDER	PART No: SEE TABLE
---------------------------------	-----------------------

DRG No: 011-017	NPR No: XXXX-XXX	SHEET SIZE A4
--------------------	---------------------	------------------

DRN SF	DATE 18/02/11	CHKD JK	DATE 18/02/11	SCALE NTS	SHEET No. 1 OF 1
-----------	------------------	------------	------------------	--------------	---------------------