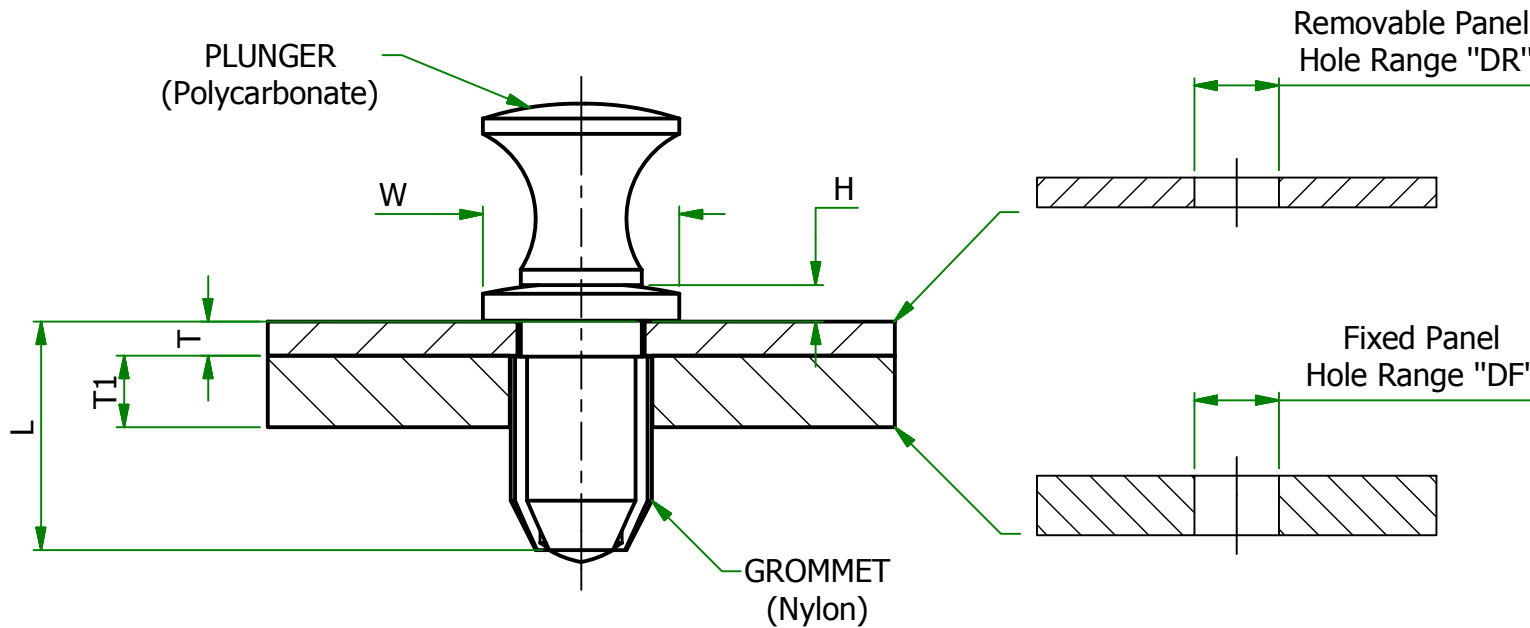


### LATCHED POSITION

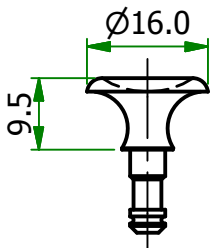


UNCONTROLLED

### MATING PLUNGER STYLES

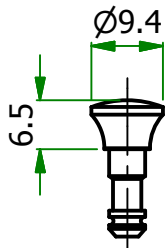
SLPL-1L~SLPL-2L

Easy Grip



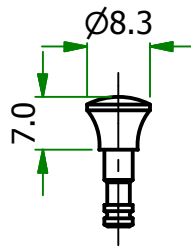
SLPB-1L~SLPB-2L

Mini Grip



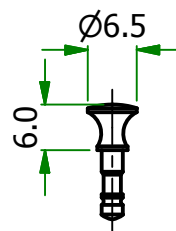
SLPB-1M~SLPB-3M

Mini Grip



SLPB-1S~SLPB-2S

Mini Grip



#### UNLESS OTHERWISE STATED

ALL DIMENSIONS IN mm				DO NOT SCALE	
LINEAR TOLERANCE				THIRD ANGLE PROJECTION	
SIZE	(0)	(0.0)	(0.00)	 ANGULAR TOLERANCE ±0.5 DEGREES UNSPECIFIED RADII 0.25mm DRAFT ANGLE 0.5 DEGREES	
0-10mm	±0.5	±0.15	±0.10		
10-30mm	±0.5	±0.20	±0.15		
30-50mm	±0.5	±0.30	±0.20		
50-100mm	±0.8	±0.50	±0.25		
100-200mm	±1.5	±0.80	±0.40		
200-300mm	±2.0	±1.20	±0.80		
300-500mm	±3.0	±2.00	±1.00		
+500mm	±5.0	±3.00	±1.50		

ORG.SCALE 4:1

MATERIAL PLNGR:NYLON - GROM.:PC

ITEM No. 1025557 (SLG-3M-B)

TITLE SNAP LATCH

DWG.No. P021020

ISSUE No. 1

Item	Colour	W	H	L	T	T1	DR	DF	Mating Plunger	Alternate Mating Plunger
1025557 (SLG-3M-B)	BLACK	8.5	1.8	9.5	2.5	3.0-5.2	5.95-6.1	6.35-6.5	SLPB-3M-B	--