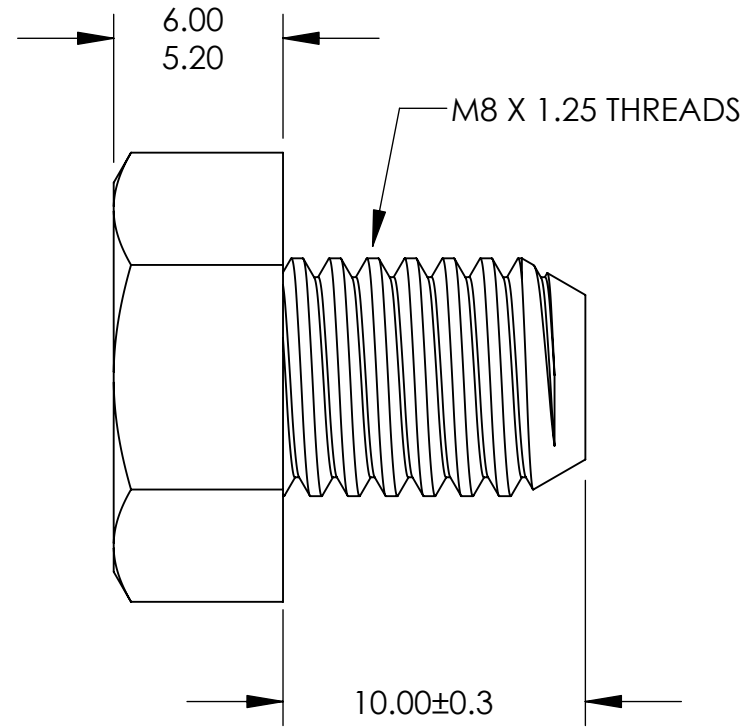
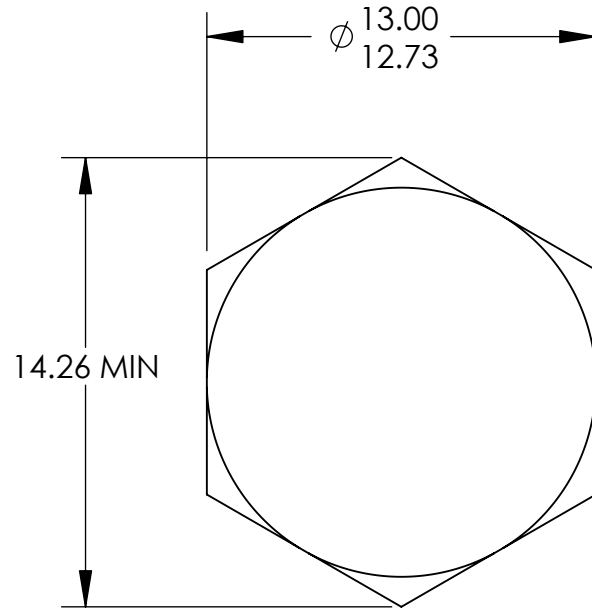


UNCONTROLLED DOCUMENT



ALL DIMENSIONS ARE IN MILLIMETERS
TOLERANCES UNLESS NOTED

- $\pm .13 \text{MM}$ ON DIMENSIONS THRU 15.88MM
- $\pm .20 \text{MM}$ ON DIMENSIONS 15.89MM THRU 25.41MM
- $\pm .25 \text{MM}$ ON DIMENSIONS 25.42MM THRU 38.10MM
- $\pm .38 \text{MM}$ ON DIMENSIONS LARGER THAN 38.10MM

WE RESERVE THE RIGHT
TO DISCONTINUE ITEMS,
CHANGE SPECIFICATIONS
OR DESIGN AT ANY TIME
WITHOUT NOTICE AND
WITHOUT INCURRING
ANY OBLIGATIONS

PROPERTY OF		
MICRO PLASTICS INC.		
CATALOG DRAWING HEX UNSLOTTED MACHINE SCREW MICRO P/N 50M080125J010 DWG. # 50M080125J010 FILE SERVER\ENG\WEB		
MATERIAL:		6/6 NYLON
DATE	SCALE	TA
	4:1	