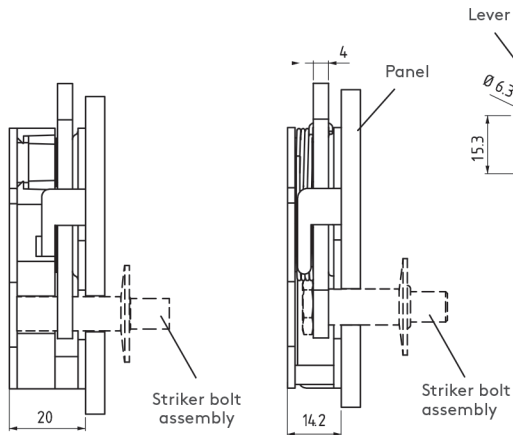


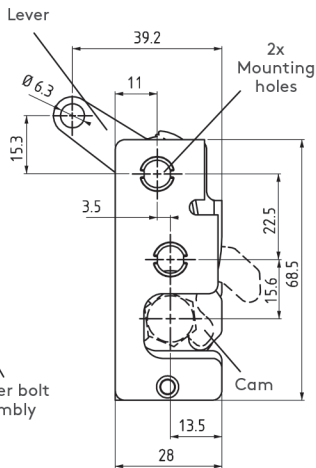
## Bumper Version

Dimensions are same as standard version except as shown



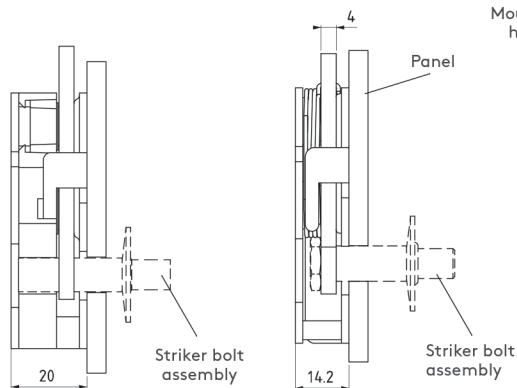
(Left hand application)

## Standard Version



## Bumper Version

Dimensions are same as standard version except as shown



(Left hand application)

## Standard Version

