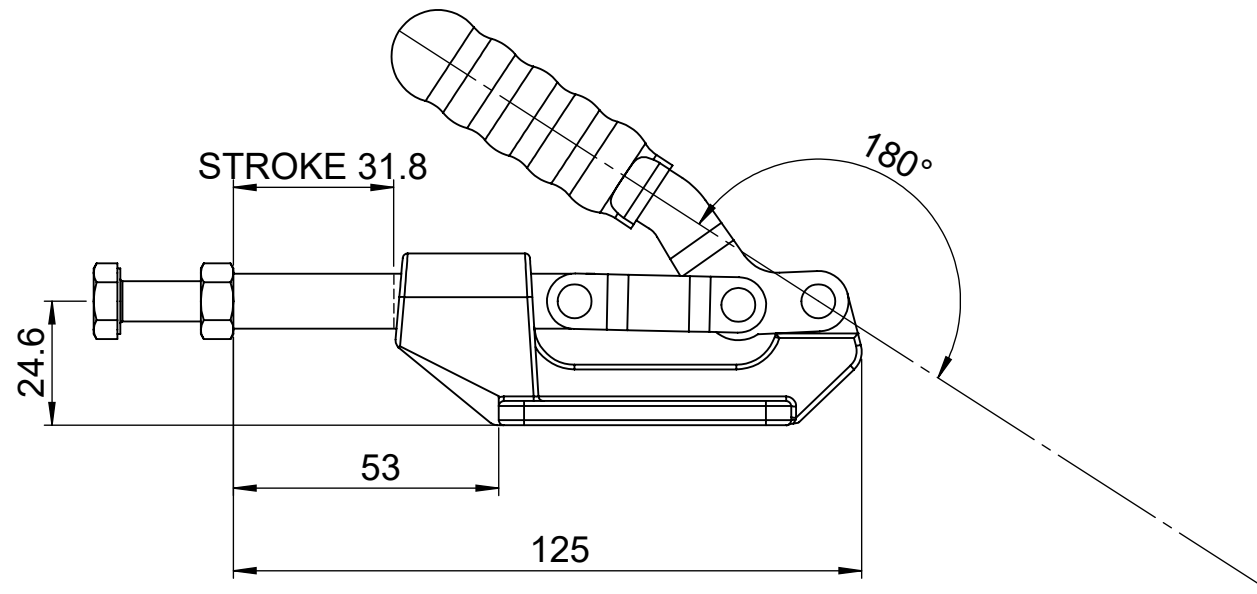
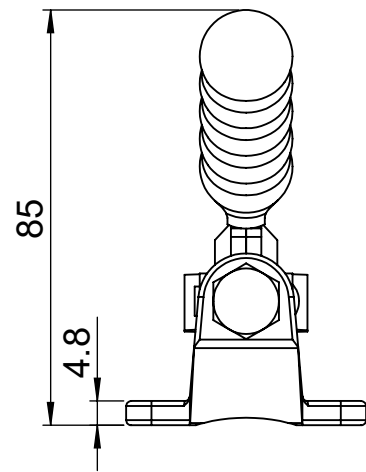
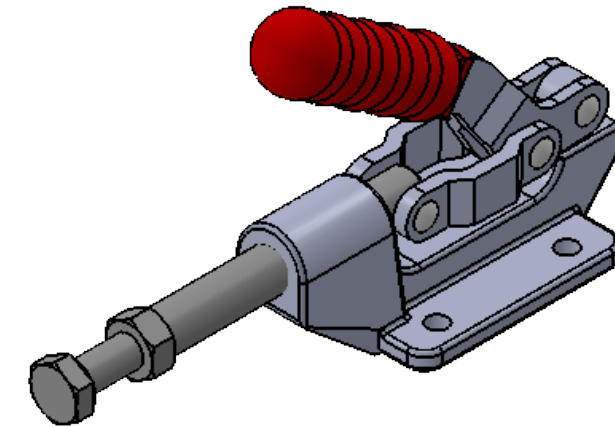
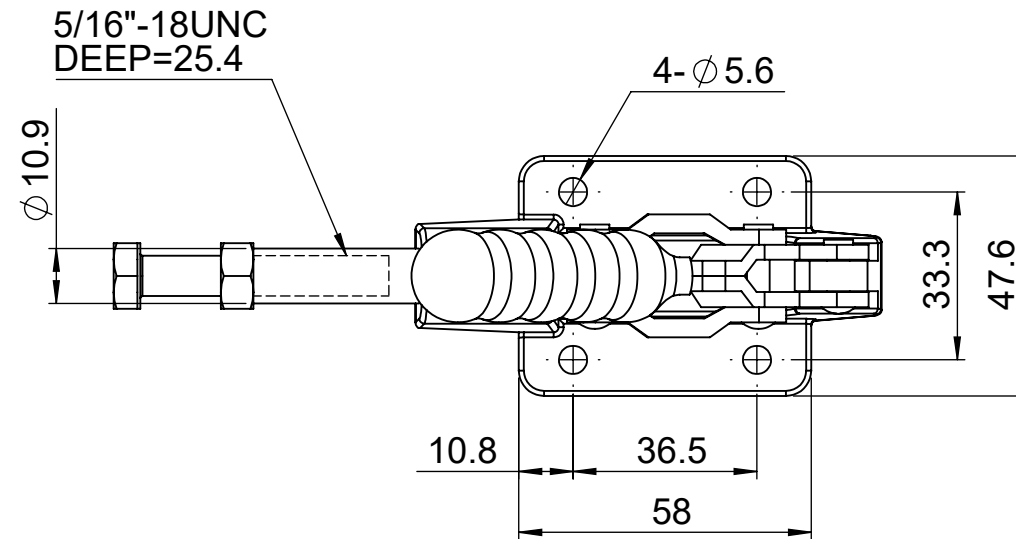



PART No:	EMC36003
HOLDING CAPACITY:	600 lbs
PLUNGER STROKE:	31.8 mm
HANDLE OPENS:	180°
WEIGHT:	0.93 lbs
SPINDLE SUPPLIED:	SA-56200



UNCONTROLLED

REV.	DESCRIPTION	ENGR.	DATE

TITLE: PUSH PULL TOGGLE CLAMP				UNITS mm	
CREATED USING SOLIDWORKS	FILE #: EMC36003	DWN: T.P.R.	APP:	FINAL	
	SHEET: 1 OF 1	SHEET SIZE: B	DT: 07/01/19	SCALE: 1:1.5	REV
	RE:	 ESSENTRA. COMPONENTS		PART # EMC36003	