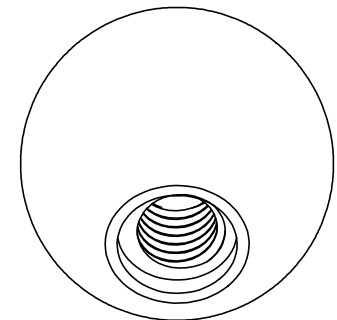
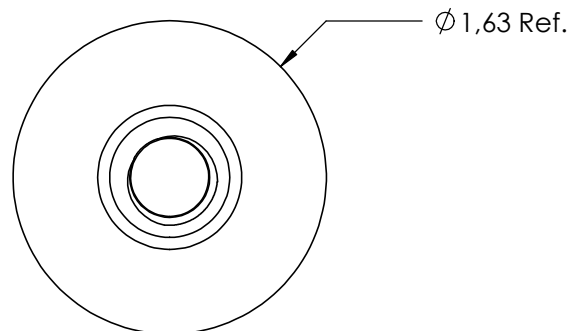
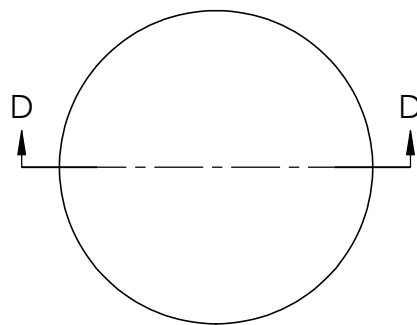


SECTION D-D



FOR CUSTOMER APPROVAL ONLY		REV	BY	DATE	COMMENT	DIMENSIONS ARE IN INCHES TOLERANCES FRACTIONAL \pm TWO PLACE DECIMAL ± 0.03 THREE PLACE DECIMAL ± 0.010 UNLESS OTHERWISE NOTED	DRAWN	VRR	INNOVATIVE COMPONENTS
NAME:	0	MTO	01/13/03	RELEASE DATE	APPROVED		LQR	PART NAME	
TITLE:	1	COR	08/26/11	Changed Into SolidWorks Format	DATE		10/15/2014		COMMENTS Material Usage: 0.05682 Pounds
DATE:	2	VRR	10/15/14	Added Signature Box			PART NUMBER KN8C----B5-L-21		
SIGNATURE:	<p align="center">PROPRIETARY AND CONFIDENTIAL</p> <p>THE INFORMATION CONTAINED IN THIS DRAWING IS THE SOLE PROPERTY OF INNOVATIVE COMPONENTS. ANY REPRODUCTION IN PART OR AS A WHOLE WITHOUT THE WRITTEN PERMISSION OF INNOVATIVE COMPONENTS IS PROHIBITED.</p>					KNOB MATERIAL Polypropylene		INSERT MATERIAL Steel	DRAWING NUMBER 05-01-14 R2
						KNOB FINISH Textured	INSERT FINISH Zinc	SCALE 1:1	SHEET 1 OF 1
						INSERT PART NUMBER SN8CNE-----21			

