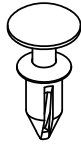
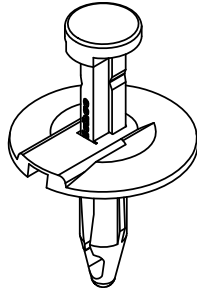


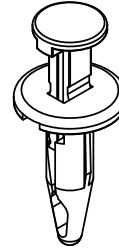
PART NUMBER	HOLE DIAMETER	PANEL RANGE	"A"± .010	"B"± .010	"C"± .010	"D"± .010	NO. OF LEGS	PIN STYLE
TR-1	.193-.205 [4.9-5.2]	.059-.181 [1.5-4.6]	.100 [2.5]	.283 [7.2]	.045 [1.1]	.445 [11.3]	3	B
TR-2	.248-.276 [6.3-7]	.098-.350 [2.5-8.9]	.140 [3.6]	.985 [25]	.098 [2.5]	.898 [22.8]	2	A
TR-3	.250-.276 [6.4-7]	.098-.315 [2.5-8]	.110 [2.8]	.585 [14.9]	.079 [2]	.897 [22.8]		
TR-4	.315-.325 [8-8.3]	.118-.315 [3-8]	.091 [2.3]	.585 [14.9]	.106 [2.7]	.830 [21.1]		



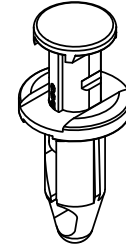
TR-1



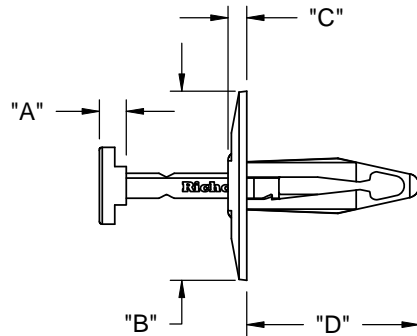
TR-2



TR-3



TR-4



PIN STYLE A



PIN STYLE B

NOTES:

1. MATERIAL: NYLON 6/6, IMPACT MODIFIED, UL 94 HB (RMS-73).
2. COLOR: BLACK
-COLOR NATURAL AVAILABLE BY SPECIAL ORDER ONLY.
TO ORDER ADD "NT" TO THE END OF PART NUMBER
3. ALTERNATE UNITS FOR REFERENCE ONLY.
4. PANEL RANGE MAY VARY WITH HOLE SIZE.

TITLE: TOUGH RIVET			DWG IN IN [MM]		FINAL	
CREATED USING SOLIDWORKS	FILE #: TR-X	DWN: R.D.G.	APP: R.D.G.	PART #		
TOLERANCES UNLESS NOTED	SHEET: 1 OF 1	SHEET SIZE: A	DT: 03/09/06	CHKD: D.Z.	PRINT TYPE	
.XX=±.010	RE: RICHCO, INC.		RICHCO, INC.		SEE TABLE	CA
.XXX=±.005	--		ENG@RICHCO-INC.COM			
FRAC.=±1/64			(773) 539-4060			
ANG.=±1°						
B	ADDED COLOR NATURAL. CO 200551	SK	07/02/10			
A	RELEASED FOR PRODUCTION	SK	04/14/08			
REV.	DESCRIPTION	ENGR.	DATE			