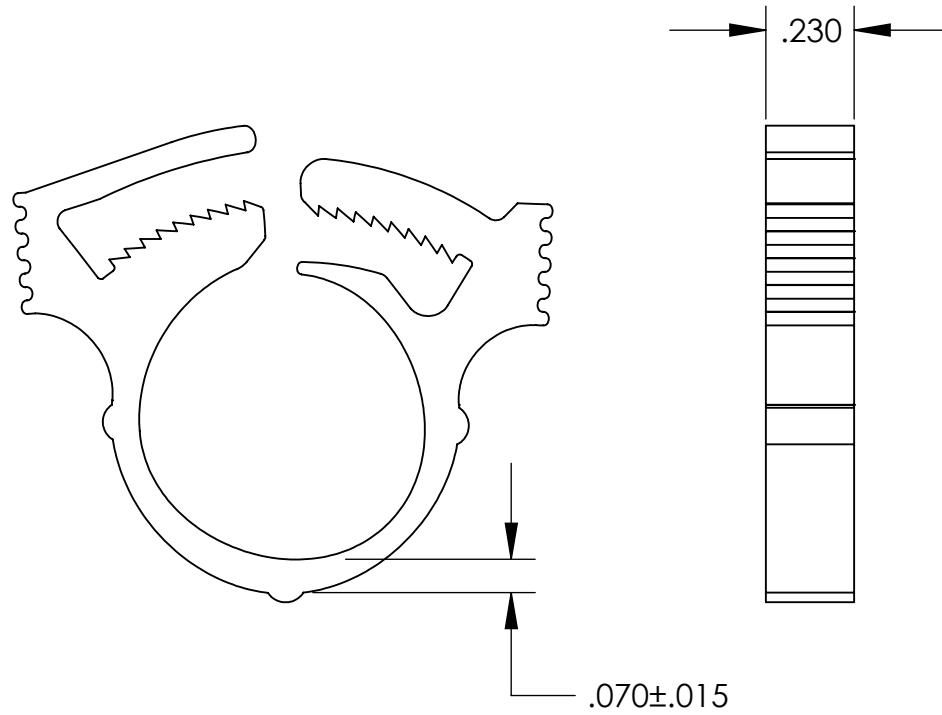


**UNCONTROLLED DOCUMENT**

NOTES:  
CLAMPING RANGE .580 / .660



TOLERANCES UNLESS NOTED

- ±.005 ON DIMENSIONS THRU .625
- ±.008 ON DIMENSIONS .626 THRU 1.000
- ±.010 ON DIMENSIONS 1.001 THRU 1.500
- ±.015 ON DIMENSIONS LARGER THAN 1.500
- ±.015 ON FRACTIONAL DIMENSIONS

WE RESERVE THE RIGHT  
TO DISCONTINUE ITEMS,  
CHANGE SPECIFICATIONS  
OR DESIGN AT ANY TIME  
WITHOUT NOTICE AND  
WITHOUT INCURRING  
ANY OBLIGATIONS

PROPERTY OF		
<b>MICRO PLASTICS INC.</b>		
CATALOG DRAWING HOSE CLAMP MICRO P/N 22HSC0120 DWG. # 22HSC0120 FILE SERVER\ENG\WEB		
MATERIAL:		NYLON 6/6
DATE	SCALE	<b>TA</b>
	2:1	