

Condition of Sale can be found on our website: essentra.com.

Essentra Components does not warrant that the files will be error free and may create new versions ("Upgrades") at any time, which may correct such errors. Essentra Components has no obligation to notify you of such upgrades. Any upgraded file will be published to the website, when it becomes available.

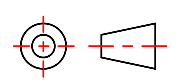
You are not permitted to load any of the files on to a network server for the purposes of distribution to one or more other computer(s) on that network or to effect such distribution. Essentra Components shall not be liable for any loss or damage whatsoever or however caused, arising directly or indirectly from the use of the files.

UNCONTROLLED COPY

STATUS **APPROVED DRAWING**

UNLESS OTHERWISE STATED

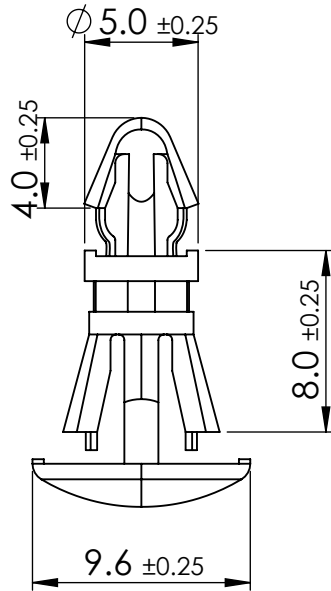
ALL DIMENSIONS IN mm DO NOT SCALE

LINEAR TOLERANCE				THIRD ANGLE PROJECTION	
SIZE	(0)	(0.0)	(0.00)		
0-10mm	±0.5	±0.15	±0.10		
>10-30	±0.5	±0.20	±0.15	ANGULAR TOLERANCE ±0.5 DEGREES UNSPECIFIED RADII 0.25mm DRAFT ANGLE 0.5 DEGREES DIMENSIONS IN BRACKETS [] ARE IN INCHES FOR REFERENCE ONLY	
>30-50	±0.5	±0.30	±0.20		
>50-100	±0.8	±0.50	±0.25		
>100-200	±1.5	±0.80	±0.40		
>200-300	±2.0	±1.20	±0.80		
>300-500	±3.0	±2.00	±1.00		
>500	±5.0	±3.00	±1.50		

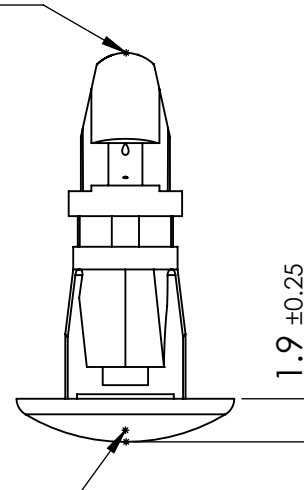
CREATE DATE	13.04.2023	MATERIAL	PA66
ITEM CODE	10023365	COLOUR	NATURAL
LEGACY NUMBER	RLCBSK-8-01	FINISH	-

TITLE: REVERSE LOCKING SUPPORT			
DWG. No.	10023365	SCALE	SHEET
		3:1	1 of 2
			ISSUE
			1

TO SNAP LOCK INTO A Ø4 ±0.08 HOLE,
 INTO A 1.6 NOM THICK PANEL.



TO SNAP LOCK INTO A Ø5.4 ±0.08 HOLE,
 INTO A 1.6 NOM THICK PANEL FOR RLCBSK &
 2 NOM THICK PANEL FOR RLCBSK-2



© 2013 Essentra Components. All rights reserved.
 Registered in England, Company No. 547495.
 Registered Office: Essentra plc
 Langford Locks, Kidlington, Oxford, OX5 1HX

Condition of Sale can be found on our website: essentra.com.

Essentra Components does not warrant that the files will be error free and may create new versions ("Upgrades") at any time, which may correct such errors. Essentra Components has no obligation to notify you of such upgrades. Any upgraded file will be published to the website, when it becomes available.

You are not permitted to load any of the files on to a network server for the purposes of distribution to one or more other computer(s) on that network or to effect such distribution. Essentra Components shall not be liable for any loss or damage whatsoever or however caused, arising directly or indirectly from the use of the files.

UNCONTROLLED COPY

STATUS

APPROVED DRAWING

UNLESS OTHERWISE STATED

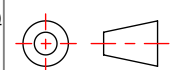
ALL DIMENSIONS IN inches

DO NOT SCALE

LINEAR TOLERANCE

THIRD ANGLE PROJECTION

SIZE	(0.00)	(0.000)	(0.0000)
0 - 0.394	±0.020	±0.006	±0.004
>0.394 - 1.181	±0.020	±0.008	±0.006
>1.181 - 1.969	±0.020	±0.012	±0.008
>1.969 - 3.937	±0.031	±0.020	±0.010
>3.937 - 7.874	±0.059	±0.031	±0.016
>7.874 - 11.811	±0.079	±0.047	±0.031
>11.811 - 19.685	±0.118	±0.079	±0.039
>19.685	±0.197	±0.118	±0.059

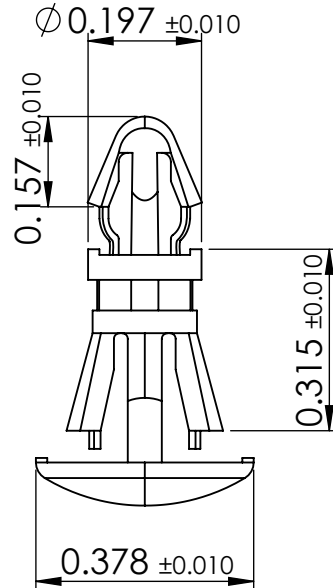


ANGULAR TOLERANCE
 ±0.5 DEGREES
 UNSPECIFIED RADII 0.010 inch
 DRAFT ANGLE 0.5 DEGREES
 DIMENSIONS IN BRACKETS []
 ARE IN INCHES FOR
 REFERENCE ONLY

CREATE DATE	13.04.2023	PA66	MATERIAL
ITEM CODE	10023365	NATURAL	COLOUR
LEGACY NUMBER	RLCBSK-8-01	-	FINISH

TITLE: REVERSE LOCKING SUPPORT			
DWG. No.	10023365	SCALE	SHEET
		3:1	2 of 2
			ISSUE
			1

TO SNAP LOCK INTO A Ø 0.158
 ±0.03 HOLE,
 INTO A 0.063 NOM THICK PANEL.



TO SNAP LOCK INTO A Ø 0.213 ±0.003 HOLE,
 INTO A 0.63 NOM THICK PANEL FOR RLCBSK &
 0.078 NOM THICK PANEL FOR RLCBSK-2

