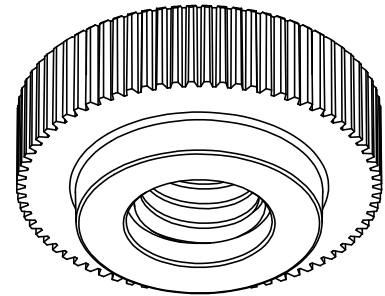
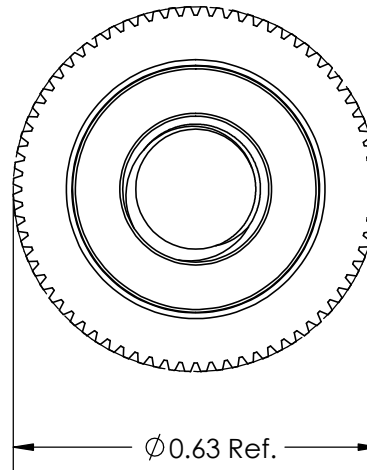
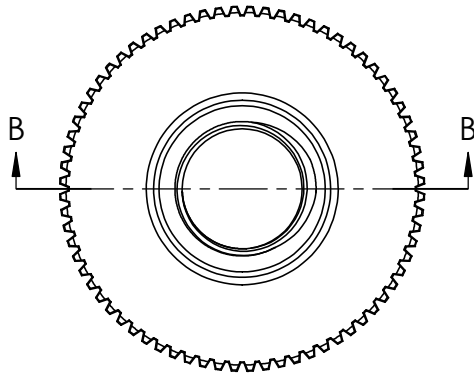
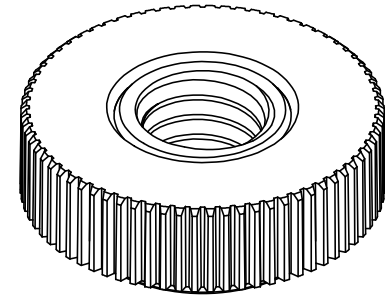


SECCIÓN B-B
ESCALA 3 : 1



FOR CUSTOMER APPROVAL ONLY		REV	BY	DATE	COMMENT	DIMENSIONS ARE IN INCHES TOLERANCES FRACTIONAL ± TWO PLACE DECIMAL ± 0.03 THREE PLACE DECIMAL ± 0.010 UNLESS OTHERWISE NOTED	DRAWN	VRR	INNOVATIVE COMPONENTS PART NAME 5/8" Knurled Knob for a 10-24 female bushing, Acetal,
NAME:	0	LQR	07/17/17	RELEASE DATE	APPROVED		LQR		
TITLE:					DATE		07/17/2017		
DATE:	PROPRIETARY AND CONFIDENTIAL THE INFORMATION CONTAINED IN THIS DRAWING IS THE SOLE PROPERTY OF INNOVATIVE COMPONENTS. ANY REPRODUCTION IN PART OR AS A WHOLE WITHOUT THE WRITTEN PERMISSION OF INNOVATIVE COMPONENTS IS PROHIBITED.				COMMENTS		Material Usage 0.0024 Pounds		
SIGNATURE:					MATERIAL			FINISH	
						Polypropylene, Black		Aluminum	
						Textured		Plain	
						INSERT		BF040380195--A0	
								PART NUMBER KS04---N4--5A0	
								DRAWING NUMBER 07-11-17 R0	
								SCALE :	
								SHEET 1 OF 1	



PLASTIC KNOBS / CONTROL KNOBS / HANDLES / QUICK RELEASE PINS & BALL LOCK PINS
 SPRING LOADED PINS & PLUNGERS / WIRE ROPE LANYARDS / THREAD IDENTIFIERS