

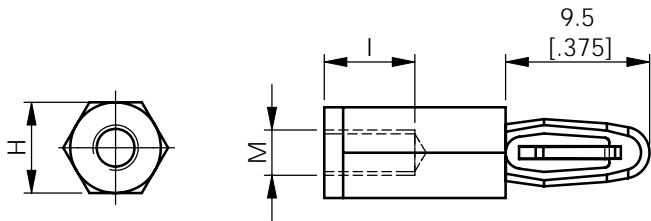
AVAILABLE BY SPECIAL ORDER- NAFTA REGION ONLY

REV.	MODIFICATION.	DATE	DRN
03	ECN-05-081	26/07/05	NJB
04	ECN-07-193	08/11/07	SF
05	CO-2010035	08/02/08	TC
06	CO-2010578	24/02/09	TC
07	CO-2010636	27/04/09	SF

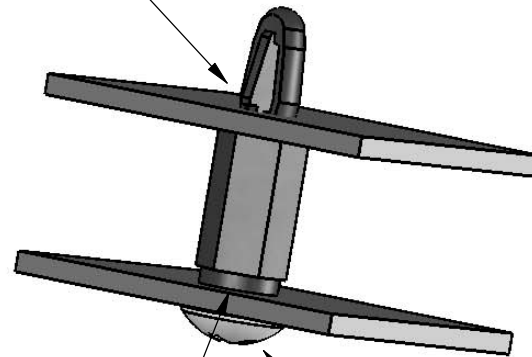
PART NO.	M	H	T	L															
				2.5	3.0	3.5	4.0	5.0	5.5	10.0									
TCBN-T1-M3-6-L	M3	6.0 [.237]	1.6 [.063]																
TCBN-T1-M3-8-L		8.0 [.315]																	
TCBN-T2-M3-6-L		6.0 [.237]	2.0 [.079]	5.0	6.0	7.0	8.0	9.0	10.0	11.0	12.0	13.0	14.0	15.0	16.0	17.0	18.0	19.0	20.0-61.0
TCBN-T2-M3-8-L		8.0 [.315]		6.0	7.0	8.0	9.0	10.0	11.0	12.0	13.0	14.0	15.0	16.0	17.0	18.0	19.0	20.0-61.0	
TCBN-T1-M4-8-L	M4	8.0 [.315]	1.6 [.063]																
TCBN-T2-M4-8-L		2.0 [.079]																	
I +0/-0.5					2.5 [.099]	3.0 [.118]	3.5 [.138]	4.0 [.158]	5.0 [.178]	5.5 [.197]								10.0 [.394]	

NOTE:
1) LENGTHS AVAILABLE IN INCREMENTS OF 1mm.

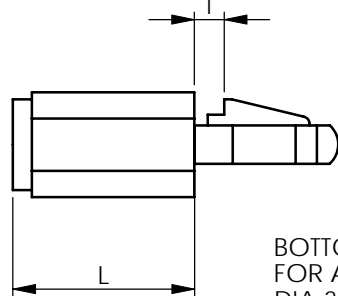
ALTERNATE UNITS FOR REFERENCE ONLY



TOP PCB -
MOUNTING
HOLE DIA
4 +/- 0.08
[.158 +/- .003]



Top Panel Thickness



BOTTOM PCB MOUNTING HOLE
FOR ANY PANEL THICKNESS:
DIA 3.2 [.125] FOR M3 SCREW
DIA 4.8 [.188] FOR M4 SCREW

INFORMATION CONTAINED IN THIS DOCUMENT IS CONFIDENTIAL TO RICHCO INTERNATIONAL Co. Ltd. AND MAY NOT BE DISCLOSED OR REPRODUCED IN WHOLE OR PART WITHOUT THEIR WRITTEN CONSENT.



ALL DIMENSIONS IN mm
GENERAL TOLERANCES ±0.25
UNLESS OTHERWISE STATED
1 DECIMAL PLACE ±
2 DECIMAL PLACES ±
ANGULAR ±1°



MATERIAL: NYLON 6/6 (RMS-172)		COLOUR: BLACK	
DESCRIPTION: THREADED CIRCUIT BOARD SUPPORT, NYLON		PART No: TCBN-TX-MD-H-L	
DRG No: 04-133	NPR No:	SHEET SIZE A4	
DRN NJB	DATE 26/10/04	CHKD RC	DATE 26/10/04
SCALE NTS	SHEET No. 1 OF 1		