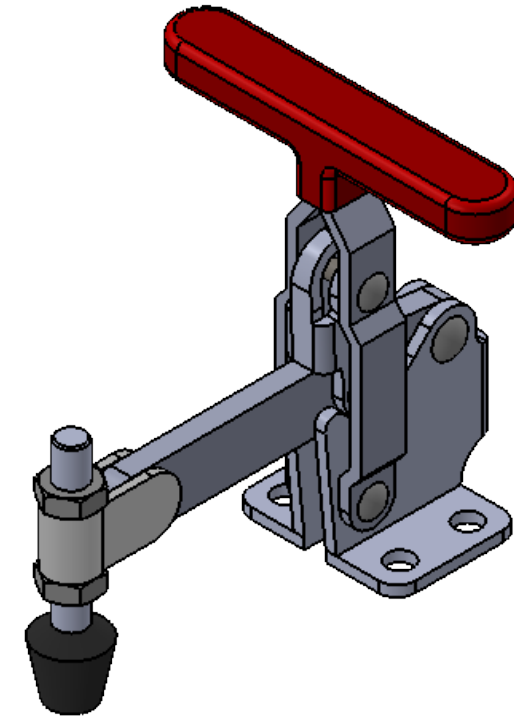
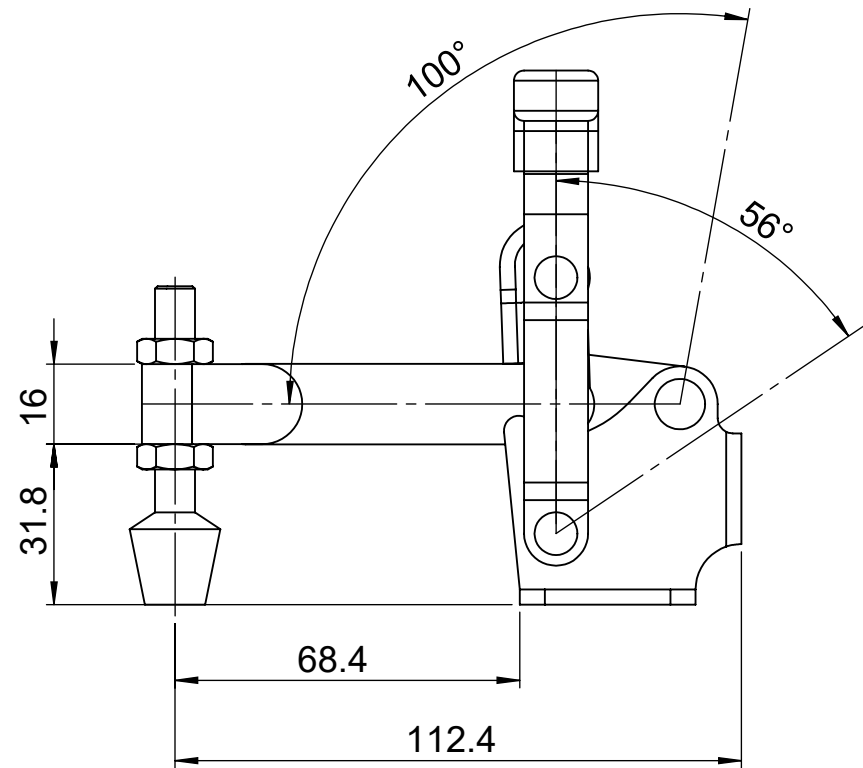
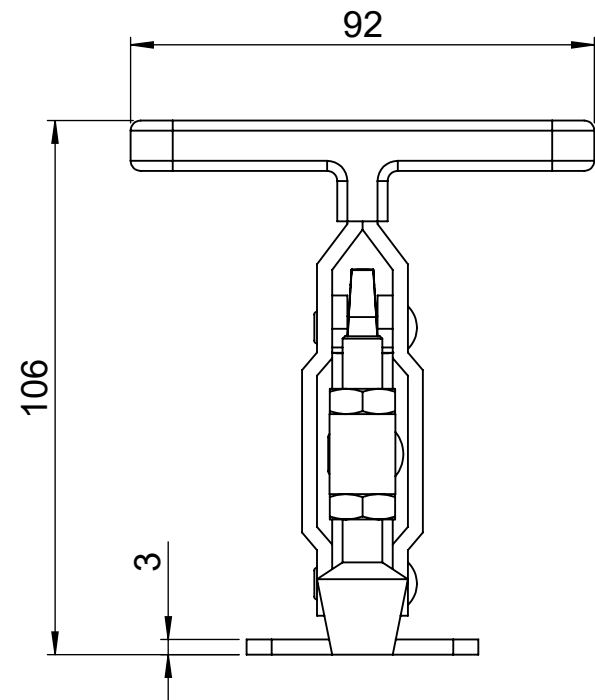
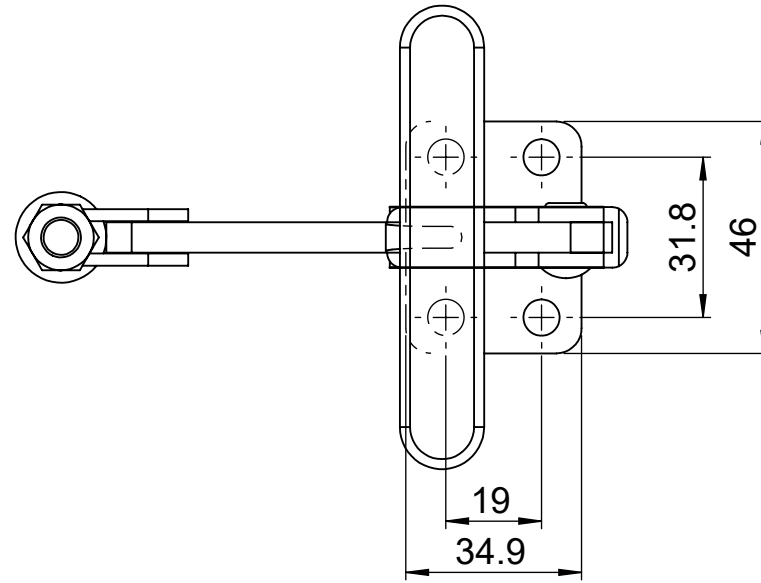



PART No:	EMC12141
HOLDING CAPACITY:	500 lbs
BAR OPENS:	100°
HANDLE OPENS:	56°
WEIGHT:	0.78 lbs
SPINDLE SUPPLIED:	FC-56212
BOLT RETAINER:	BR-516



**UNCONTROLLED**

REV.	DESCRIPTION	ENGR.	DATE

TITLE: <b>VERTICAL TOGGLE CLAMP</b>				UNITS mm	
CREATED USING SOLIDWORKS	FILE #: EMC12141	DWN: T.P.R.	APP:	FINAL	REV
	SHEET: 1 OF 1	SHEET SIZE: B	DT: 06/28/19	SCALE: 1:1.5	PART #
	RE:	 <b>ESSENTRA.</b> COMPONENTS		<b>EMC12141</b>	