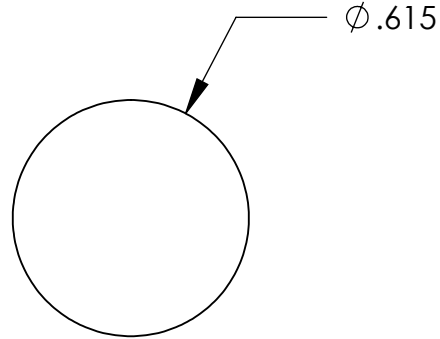
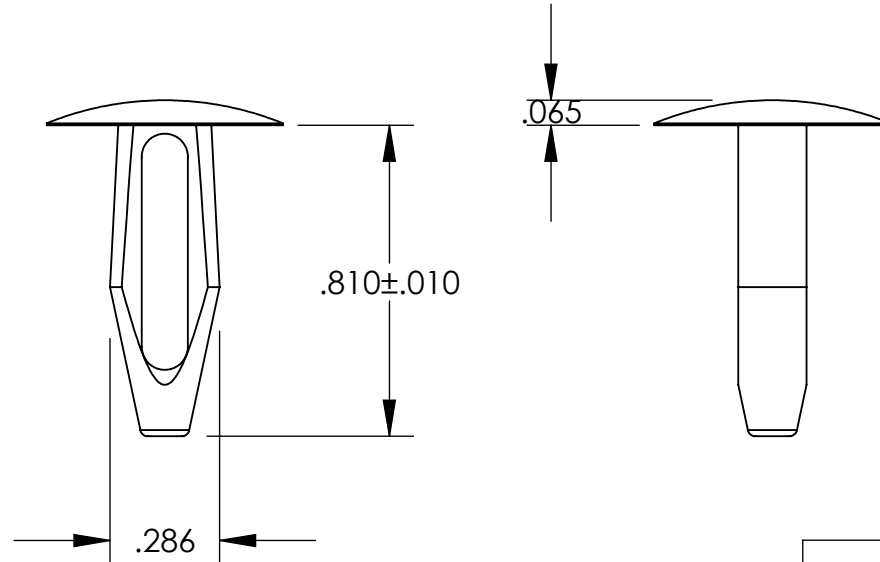


UNCONTROLLED DOCUMENT



NOTES:
 HOLE SIZE - .250 / .260
 PANEL THICKNESS - .360 / .380



TOLERANCES UNLESS NOTED

- ±.005 ON DIMENSIONS THRU .625
- ±.008 ON DIMENSIONS .626 THRU 1.000
- ±.010 ON DIMENSIONS 1.001 THRU 1.500
- ±.015 ON DIMENSIONS LARGER THAN 1.500
- ±.015 ON FRACTIONAL DIMENSIONS

WE RESERVE THE RIGHT
 TO DISCONTINUE ITEMS,
 CHANGE SPECIFICATIONS
 OR DESIGN AT ANY TIME
 WITHOUT NOTICE AND
 WITHOUT INCURRING
 ANY OBLIGATIONS

PROPERTY OF		
MICRO PLASTICS INC.		
CATALOG DRAWING ARROW CLIP MICRO P/N 27AC0016 DWG. # 27AC0016 FILE SERVER\ENG\WEB		
MATERIAL:		NYLON 6/6
DATE	SCALE	TA
	2:1	