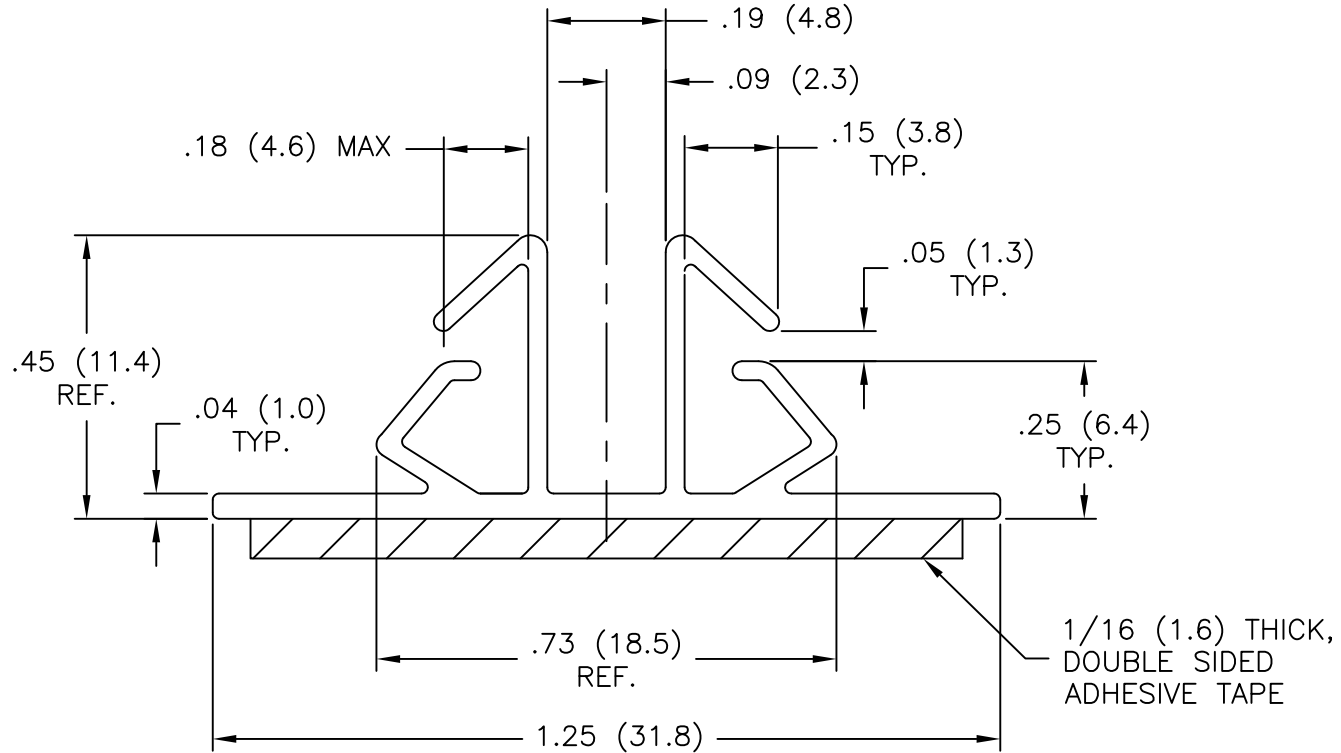


AVAILABLE BY SPECIAL ORDER ONLY

PART NO.	
BMS-D-48	WITHOUT ADHESIVE
BMS-DA-48	WITH ADHESIVE



NOTES:

1. MATERIAL: RIGID PVC (RMS-04).
2. COLOR: BLACK.
3. TAPE: ACRYLIC ADHESIVE TAPE (RMS-15).
4. LENGTH: 48" ±.25

TITLE: BOARD MOUNTING STRIP - DOUBLE			DWG IN IN (MM)		FINAL	
E	SEE CO 200694 FOR CHANGE	SK 07.26.11	FILE # BMS-D	DWN: P.B.	DT: 01-30-95	PART #
D	SEE ECN #862 FOR CHANGES	SM 10.04.04	MAT'L: SEE NOTES	CHKD:	ENG:	
C	ADDED LENGTH NOTE	SJ 7.1.02	RE: RICHCO, INC.	RICHCO INC.		SEE TABLE
B	CHANGED FILE NUMBER	SM 05.14.01	ENG@RICHCO-INC.COM		PRINT TYPE	
A	ADDED DIMENSIONS NEEDED, ADDED TABLE	MO 1/28/98	(773) 539-4060			CA
REV	DESCRIPTION	ENGR DATE	TOLERANCES UNLESS NOTED .XX=±.010 .XXX=±.005 FRAC=1/64 ANG=1°			