

Condition of Sale can be found on our website: essentra.com.

Essentra Components does not warrant that the files will be error free and may create new versions ("Upgrades") at any time, which may correct such errors. Essentra Components has no obligation to notify you of such upgrades. Any upgraded file will be published to the website, when it becomes available.

You are not permitted to load any of the files on to a network server for the purposes of distribution to one or more other computer(s) on that network or to effect such distribution. Essentra Components shall not be liable for any loss or damage whatsoever or however caused, arising directly or indirectly from the use of the files.

UNCONTROLLED COPY

STATUS

APPROVED DRAWING

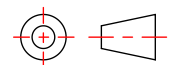
UNLESS OTHERWISE STATED

ALL DIMENSIONS IN mm

DO NOT SCALE

| SIZE | (0) | (0.0) | (0.00) |
|----------|------|-------|--------|
| 0-10 | ±0.5 | ±0.15 | ±0.10 |
| >10-30 | ±0.5 | ±0.20 | ±0.15 |
| >30-50 | ±0.5 | ±0.30 | ±0.20 |
| >50-100 | ±0.8 | ±0.50 | ±0.25 |
| >100-200 | ±1.5 | ±0.80 | ±0.40 |
| >200-300 | ±2.0 | ±1.20 | ±0.80 |
| >300-500 | ±3.0 | ±2.00 | ±1.00 |
| >500 | ±5.0 | ±3.00 | ±1.50 |

THIRD ANGLE PROJECTION

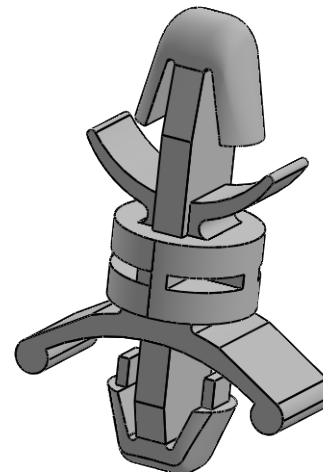
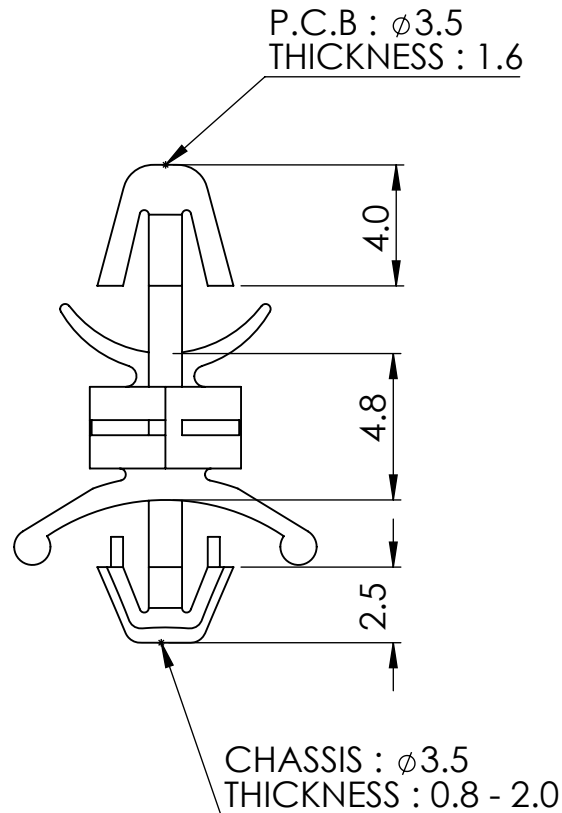


ANGULAR TOLERANCE ±0.5 DEGREES
 UNSPECIFIED RADII 0.25mm
 DRAFT ANGLE 0.5 DEGREES
 DIMENSIONS IN BRACKETS [] ARE
 IN INCHES FOR REFERENCE ONLY

| | | | |
|---------------|------------|----------|-----------|
| CREATE DATE | 27.02.2023 | MATERIAL | SEE NOTES |
| ITEM CODE | 10150849 | COLOUR | - |
| LEGACY NUMBER | CBDLS615A | FINISH | - |

TITLE:
**PCB SUPPORT LOCKING
 ARROWHEAD**

| | | | | |
|----------|----------|-------|--------|-------|
| DWG. No. | 10150849 | SCALE | SHEET | ISSUE |
| | | 4:1 | 1 of 2 | 1 |



NOTE

MATERIAL : NYLON 66

COLOUR : NATURAL

Condition of Sale can be found on our website: essentra.com.

Essentra Components does not warrant that the files will be error free and may create new versions ("Upgrades") at any time, which may correct such errors. Essentra Components has no obligation to notify you of such upgrades. Any upgraded file will be published to the website, when it becomes available.

You are not permitted to load any of the files on to a network server for the purposes of distribution to one or more other computer(s) on that network or to effect such distribution. Essentra Components shall not be liable for any loss or damage whatsoever or however caused, arising directly or indirectly from the use of the files.

UNCONTROLLED COPY

STATUS

APPROVED DRAWING

UNLESS OTHERWISE STATED

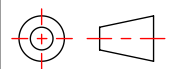
ALL DIMENSIONS IN inches

DO NOT SCALE

LINEAR TOLERANCE

THIRD ANGLE PROJECTION

| SIZE | (0.00) | (0.000) | (0.0000) |
|------------------|--------|---------|----------|
| 0 - 0.394 | ±0.020 | ±0.006 | ±0.004 |
| >0.394 - 1.181 | ±0.020 | ±0.008 | ±0.006 |
| >1.181 - 1.969 | ±0.020 | ±0.012 | ±0.008 |
| >1.969 - 3.937 | ±0.031 | ±0.020 | ±0.010 |
| >3.937 - 7.874 | ±0.059 | ±0.031 | ±0.016 |
| >7.874 - 11.811 | ±0.079 | ±0.047 | ±0.031 |
| >11.811 - 19.685 | ±0.118 | ±0.079 | ±0.039 |
| >19.685 | ±0.197 | ±0.118 | ±0.059 |

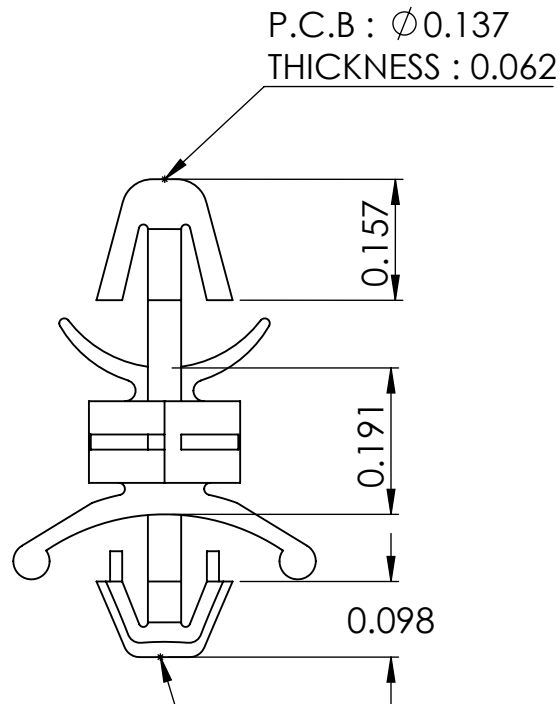


ANGULAR TOLERANCE
 ±0.5 DEGREES
 UNSPECIFIED RADII 0.010 inch
 DRAFT ANGLE 0.5 DEGREES
 DIMENSIONS IN BRACKETS []
 ARE IN INCHES FOR
 REFERENCE ONLY

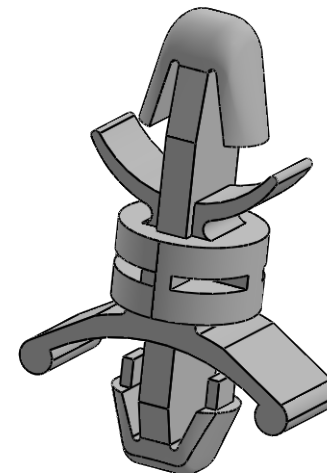
| | | | |
|---------------|------------|-----------|----------|
| CREATE DATE | 27.02.2023 | SEE NOTES | MATERIAL |
| ITEM CODE | 10150849 | - | COLOUR |
| LEGACY NUMBER | CBDLS615A | - | FINISH |

TITLE:
**PCB SUPPORT LOCKING
 ARROWHEAD**

| | | | | |
|----------|----------|-------|--------|-------|
| DWG. No. | 10150849 | SCALE | SHEET | ISSUE |
| | | 1:1 | 2 of 2 | 1 |



CHASSIS : $\varnothing 0.137$
 THICKNESS : 0.031 - 0.078



NOTE

MATERIAL : NYLON 66

COLOUR : NATURAL