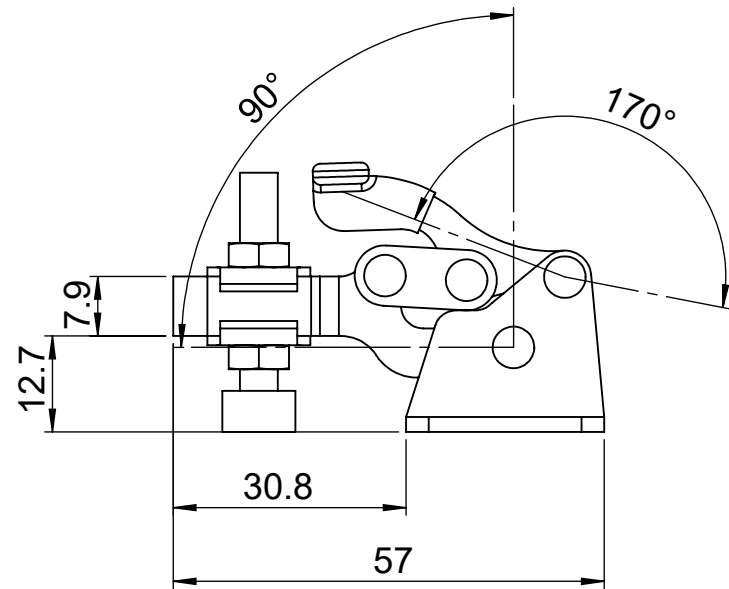
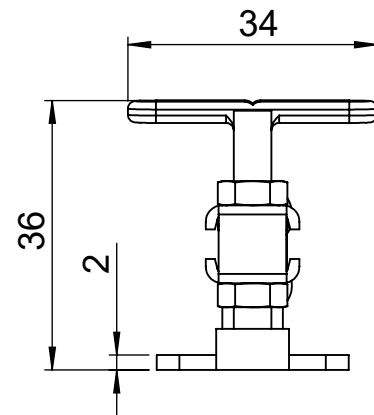
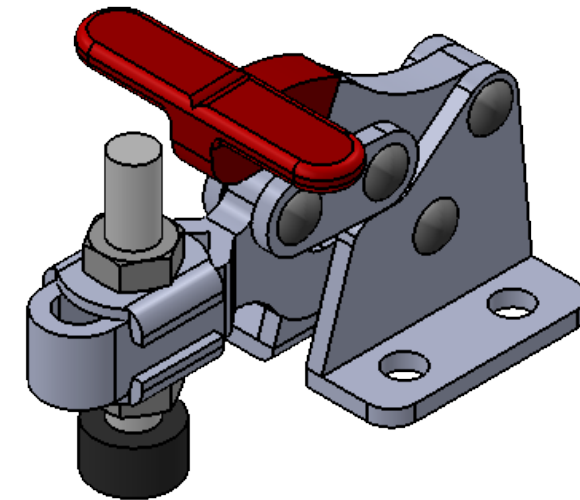
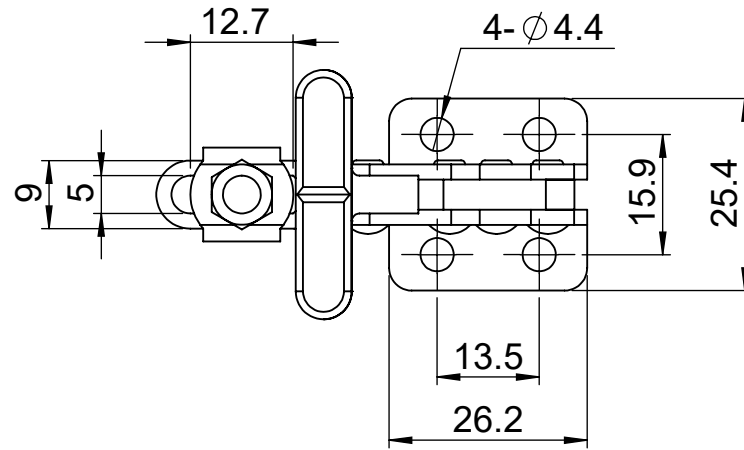



PART No:	EMC13005
HOLDING CAPACITY:	150 lbs
BAR OPENS:	90°
HANDLE OPENS:	170°
WEIGHT:	0.13 lbs
SPINDLE SUPPLIED:	FC-10138-LP
FLANGED WASHERS:	FW-100



UNCONTROLLED

TITLE: VERTICAL TOGGLE CLAMP				UNITS mm	
CREATED USING SOLIDWORKS	FILE #: EMC13005	DWN: T.P.R.	APP:	FINAL	
	SHEET: 1 OF 1	SHEET SIZE: B	DT: 06/28/19	SCALE: 1:1	REV
	RE:	 ESSENTRA. COMPONENTS		PART # EMC13005	
REV.	DESCRIPTION	ENGR.	DATE		