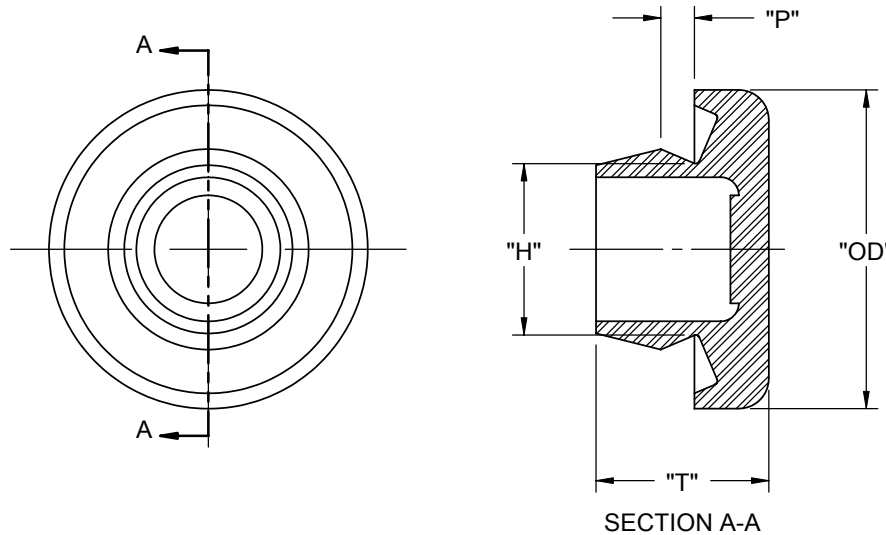


PART NO.	PANEL HOLE SIZE "H"	PANEL THICKNESS "P"	OUTSIDE DIAMETER "OD"	BODY PLUG THICKNESS "T"	MATERIAL
BP-16230	.39 [10]	.03-.08 [0.8-2]	.76 [19.3]	.43 [10.9]	RMS-262
BP-16231	.47 [12]	.03-.08 [0.8-2]	.83 [21]	.45 [11.4]	RMS-262
BP-16232	.55 [14]	.03-.08 [0.8-2]	.91 [23]	.45 [11.4]	RMS-262
BP-16233	.63 [16]	.03-.08 [0.8-2]	.98 [25]	.47 [12]	RMS-67
BP-16234	.71 [18]	.03-.08 [0.8-2]	1.06 [27]	.45 [11.4]	RMS-262
BP-16236	.87 [22]	.03-.08 [0.8-2]	1.23 [31.2]	.43 [10.9]	RMS-262
BP-16238	1.18 [30]	.03-.08 [0.8-2]	1.55 [39.4]	.42 [10.7]	RMS-262



NOTES:  
 1. MATERIAL: THERMOPLASTIC ELASTOMER UL 94 HB.  
 2. COLOR: BLACK.

TITLE: <b>BODY PLUG</b>			DWG IN IN [MM]		FINAL		PRINT TYPE	
CREATED USING SOLIDWORKS			FILE #: BP	DWN: SK	APP: RT	PART #		CA
TOLERANCES UNLESS NOTED .XX=±.010 .XXX=±.005 FRAC.=±1/64 ANG.=±1°			SHEET: 1 OF 1	SHEET SIZE: A	DT: 06/11/07	CHKD: DZ	SEE TABLE	
C	SEE CO 200041 FOR CHANGES	SK 09/28/07	RE: RICHCO, INC.		RICHCO, INC. ENG@RICHCO-INC.COM (773) 539-4060			
B	SEE ECN #1332 FOR CHANGES	SK 06/12/07						
A	CHANGED FILE NO. AND TABLE HEADING	SM 01.02.02						
REV.	DESCRIPTION	ENGR. DATE						