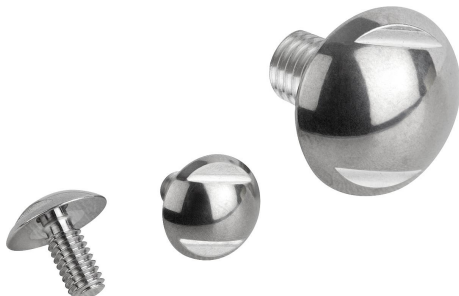


Ball head screw in Hygienic DESIGN

Item description/product images



Description

Material:

Stainless steel 1.4404 (AISI 316L equivalent) (AISI 316L equivalent).

Version:

Polished.

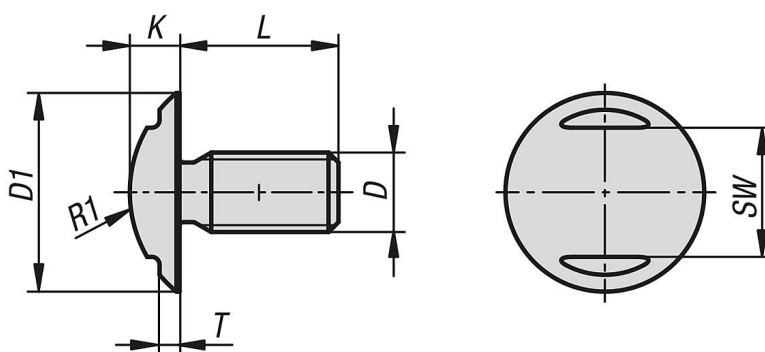
Note:

Ideal elements for fastening cladding panels, Plexiglas covers etc. The oversized flange and the thread undercut ensure a stress-free, uniform force distribution on the respective surfaces. Projecting edges are kept to a minimum by the head height being kept as low as possible. An open-end wrench is used to screw the fastener in. The surface of the ball head screw is polished, and with regard to design, optimized for the use in hygienic environments. The surface is polished to a surface finish of less than Ra 0.8 µm. Dirt and residue from products or cleaners seldom adheres and easy cleaning is ensured.

Accessory:

For damage-free tightening and loosening of the screw we recommend the open-end wrenches together with the protective caps (K1362).

Drawings



Ball head screw in Hygienic DESIGN

Item No.	D	D1	K	T	SW	R1	L
K1329.03X4	M3	8	2	0,6	5	5,2	4
K1329.03X5	M3	8	2	0,6	5	5,2	5
K1329.03X6	M3	8	2	0,6	5	5,2	6
K1329.03X8	M3	8	2	0,6	5	5,2	8
K1329.03X10	M3	8	2	0,6	5	5,2	10
K1329.03X12	M3	8	2	0,6	5	5,2	12
K1329.03X16	M3	8	2	0,6	5	5,2	16
K1329.03X20	M3	8	2	0,6	5	5,2	20
K1329.03X25	M3	8	2	0,6	5	5,2	25
K1329.03X30	M3	8	2	0,6	5	5,2	30
K1329.04X6	M4	11	3	1	6	6,7	6
K1329.04X5	M4	11	3	1	6	6,7	5
K1329.04X8	M4	11	3	1	6	6,7	8
K1329.04X10	M4	11	3	1	6	6,7	10

Ball head screw in Hygienic DESIGN

Item No.	D	D1	K	T	SW	R1	L
K1329.04X12	M4	11	3	1	6	6,7	12
K1329.04X16	M4	11	3	1	6	6,7	16
K1329.04X20	M4	11	3	1	6	6,7	20
K1329.04X25	M4	11	3	1	6	6,7	25
K1329.04X30	M4	11	3	1	6	6,7	30
K1329.05X6	M5	14	4	1	8	8,6	6
K1329.05X8	M5	14	4	1	8	8,6	8
K1329.05X10	M5	14	4	1	8	8,6	10
K1329.05X12	M5	14	4	1	8	8,6	12
K1329.05X16	M5	14	4	1	8	8,6	16
K1329.05X20	M5	14	4	1	8	8,6	20
K1329.05X25	M5	14	4	1	8	8,6	25
K1329.05X30	M5	14	4	1	8	8,6	30
K1329.06X8	M6	17	5	1,5	10	10	8
K1329.06X10	M6	17	5	1,5	10	10	10
K1329.06X12	M6	17	5	1,5	10	10	12
K1329.06X16	M6	17	5	1,5	10	10	16
K1329.06X20	M6	17	5	1,5	10	10	20
K1329.06X25	M6	17	5	1,5	10	10	25
K1329.06X30	M6	17	5	1,5	10	10	30
K1329.08X10	M8	20	5	1,5	13	13	10
K1329.08X12	M8	20	5	1,5	13	13	12
K1329.08X16	M8	20	5	1,5	13	13	16
K1329.08X20	M8	20	5	1,5	13	13	20
K1329.08X25	M8	20	5	1,5	13	13	25
K1329.08X30	M8	20	5	1,5	13	13	30
K1329.08X35	M8	20	5	1,5	13	13	35
K1329.08X40	M8	20	5	1,5	13	13	40
K1329.10X12	M10	22	6	1,5	15	13,5	12
K1329.10X16	M10	22	6	1,5	15	13,5	16
K1329.10X20	M10	22	6	1,5	15	13,5	20
K1329.10X25	M10	22	6	1,5	15	13,5	25
K1329.10X30	M10	22	6	1,5	15	13,5	30
K1329.10X35	M10	22	6	1,5	15	13,5	35
K1329.10X37	M10	22	6	1,5	15	13,5	37
K1329.10X40	M10	22	6	1,5	15	13,5	40
K1329.12X16	M12	27	7,5	1,5	19	16,3	16
K1329.12X20	M12	27	7,5	1,5	19	16,3	20
K1329.12X25	M12	27	7,5	1,5	19	16,3	25
K1329.12X30	M12	27	7,5	1,5	19	16,3	30
K1329.12X35	M12	27	7,5	1,5	19	16,3	35
K1329.12X40	M12	27	7,5	1,5	19	16,3	40
K1329.16X20	M16	36	9	1,5	24	23	20
K1329.16X25	M16	36	9	1,5	24	23	25
K1329.16X30	M16	36	9	1,5	24	23	30
K1329.16X35	M16	36	9	1,5	24	23	35
K1329.16X40	M16	36	9	1,5	24	23	40